

for Ste  
**115S**







## STANDARD ACCESSORIES

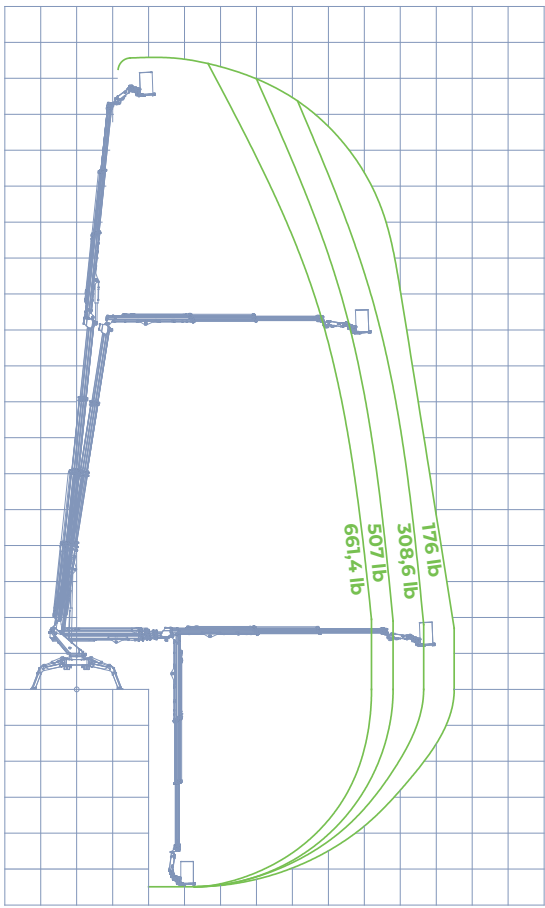
### DATA SHEET

- Radio Controls
- Expandible basket
- Multifunction remote control
- Auxiliary electric pump 110 V
- Diesel engine
- Automatic opening
- Automatic closing
- Automatic stabilization
- Adjustable stabilization
- Self loading on trailer
- No marking tracks
- Possibility off winch on removable jib
- MySocage: "Always Connected"

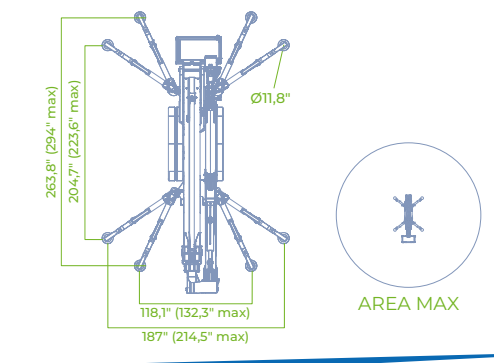
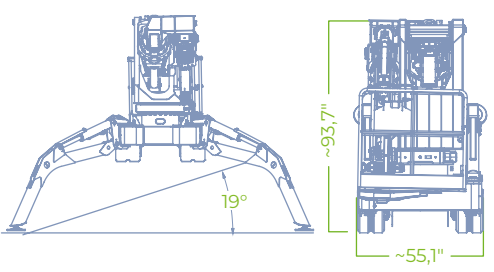
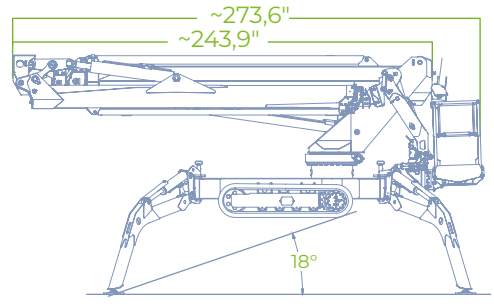
## WORKING DIAGRAM

## INFO

## SIZE



- WORKING HEIGHT**  
115'
- NEGATIVE WORKING AREA**  
-36'
- BASKET HEIGHT**  
108'
- MAX OUTREACH**  
68,9'
- BASKET LOAD CAPACITY**  
661,4 lb
- BASKET SIZE**  
70,9" X 27,6" X 43,3"  
47,2" X 27,6" X 43,3"
- CONTROLS**  
Electro-Hydraulic
- TURRET ROTATION**  
400°
- GVW**  
18078 lb
- SIZE**  
187" x 204,7"  
118,1" x 263,8"
- BASKET ROTATION**  
90° + 90°
- LIFTING HOOK**  
1102 lb
- OUTRIGGERS**  
Z+Z





**VERSATILE INDOOR  
IN MAINTENANCE**

**ROBUST OUTDOOR  
IN TREE CARE**





# RAPTOR 115S IS THE COMPACT, EFFICIENT AND HIGH PERFORMANCE SOLUTION FOR THE MOST COMPLEX CHALLENGES OF WORKING AT HEIGHT!

- WORKING HEIGHT 115 FEET
- WORKING OUTRECH 69 FEET
- WORKING IN NEGATIVE AREA -36'
- CAGE WITH WIDTH HYDRAULIC ADJUSTMENT AND MAX CAPACITY 662 LBS.
- WINCH/HOOK APPLICATION
- AUTOMATIC OPENING AND CLOSING
- MYSOCAGE, YOU ARE ALWAYS CONNECTED!

With SOCAGE's extensive experience in producing aerial platforms, the **Raptor 115S** embodies advanced performance, designed to provide safe and easy access to hard-to-reach areas. With a maximum working height of 115 feet and a lateral outreach of 69 feet, this platform sets a benchmark in its category by combining innovative technology with sophisticated design. It is the ideal choice for professionals and rental companies seeking reliable solutions for both outdoor and indoor applications.

One of the main strengths of the **Raptor 115S** is its exceptional compactness. At just 6195 mm in length, it is the most compact spider platform in its class, making it easily transportable even in tight spaces, without sacrificing power or operational versatility.

The spacious basket (1800/1400 x700x1100 mm) ensures maximum comfort during aerial work. Thanks to the hydraulic narrowing function, it can adapt to confined working spaces without needing to be disassembled. For greater operational flexibility, the **Raptor 115S** can also be equipped, as an alternative to the basket, with a 1102 lbs. lifting hook support or a hydraulic winch, further expanding its range of applications.

## Advanced Innovation and Safety

The **Raptor 115S** is not just an aerial platform; it

is a technological breakthrough that raises the industry standard. Equipped with advanced features, it is designed to simplify operation and ensure maximum safety in every situation. Key features include **automatic stabilization** and **automatic opening and closing** of the aerial part, reducing setup time and optimizing operations for fast and secure performance.

The automatic speed control during aerial maneuvers allows the operator to work with greater fluidity and precision. Additionally, the **Raptor 115S** comes equipped with **MySocage** technology, enabling remote software updates and 24/7 machine support. This innovative system includes phone-based technical assistance provided by highly qualified technicians, ready to assist whenever needed.

Built with high-quality and durable steel arms, the **Raptor 115S** combines structural robustness with lightweight operation, ensuring precision and comfort during all tasks. It is the perfect choice for those seeking a compact, efficient, and high-performing solution capable of tackling the most complex aerial work challenges with reliability and safety.