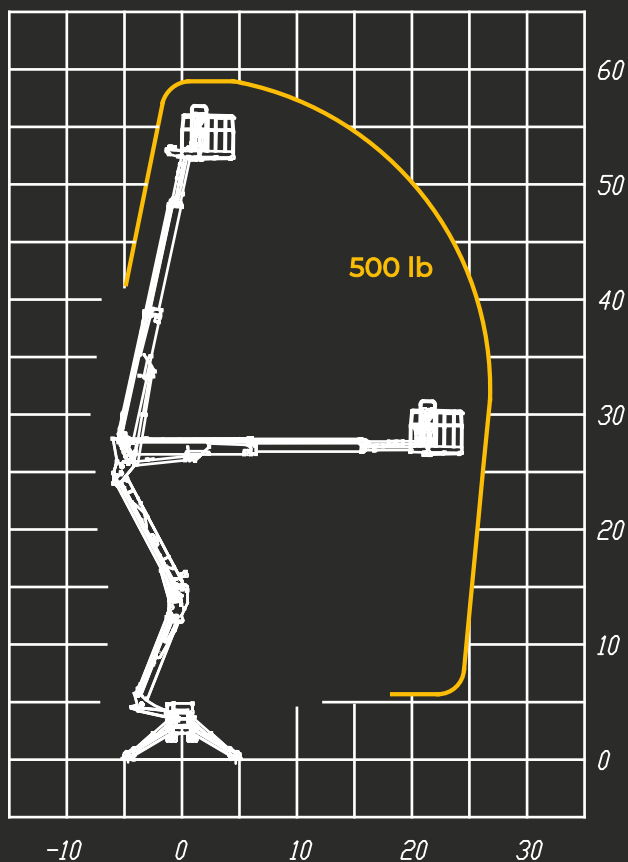


## working diagram

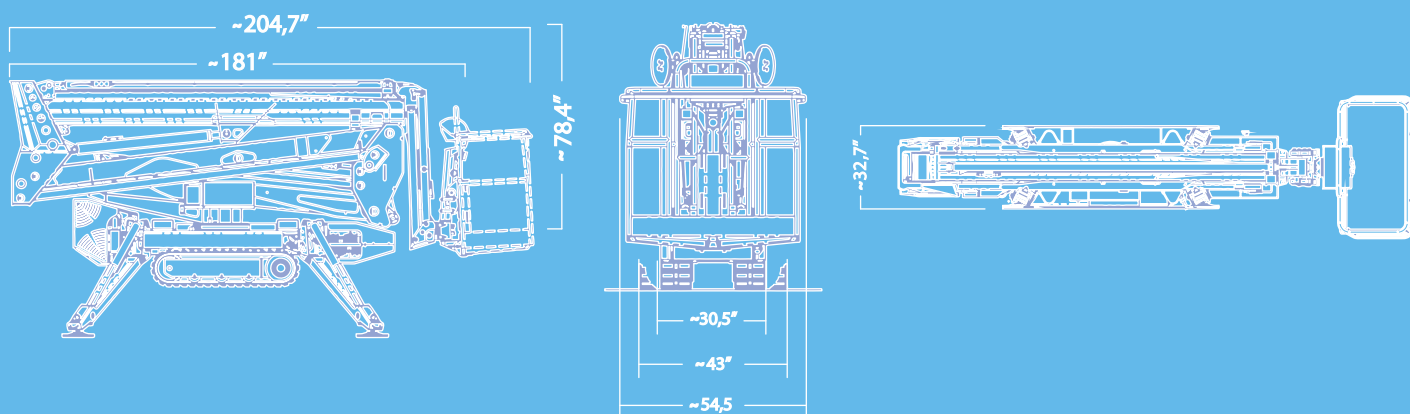


## technical info

 <b>OUTRIGGERS</b> Z+Z	 <b>CONTROLS</b> Electro Hydraulic
 <b>WORKING HEIGHT</b> 59'	 <b>TURRET ROTATION</b> 700°
 <b>BASKET HEIGHT</b> 53,5'	 <b>GW</b> 5515 lb
 <b>MAX OUTREACH</b> 26,9'	 <b>DIMENSIONS</b> 112,8"x113"
 <b>BASKET PAYLOAD</b> 500 lb	 <b>BASKET ROTATION</b> 60°+60°
 <b>BASKET SIZE</b> 54,5"x29"x47"	 <b>LIFTING HOOK</b> 500 lb

Hot Stee  
**605**  
RAPTOR  
CODAGE

## dimensions



- ✓ Greater strength and stability
- ✓ Simplicity and reliability
- ✓ Bi-energy
- ✓ Expansion basket