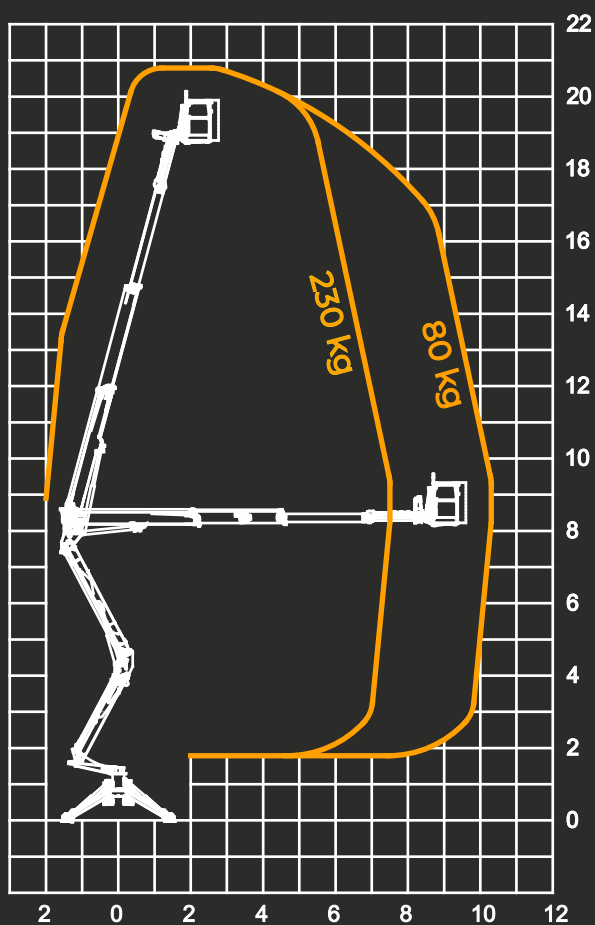


working diagram



technical info



OUTRIGGERS
Z+Z



CONTROLS
Electro-hydraulic



WORKING HIEGHT
20,80 m



TURRET ROTATION
700°



BASKET HIEGHT
18,80 m



GVW
2,6 ton



MAX OUTREACH
10,30 m



DIMENSIONS
2855x2850



BASKET PAYLOAD
230 kg



BASKET ROTATION
60°+60°

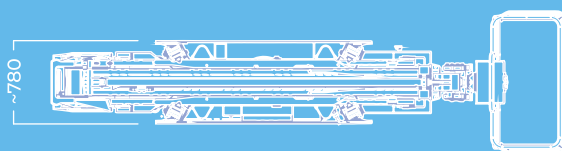
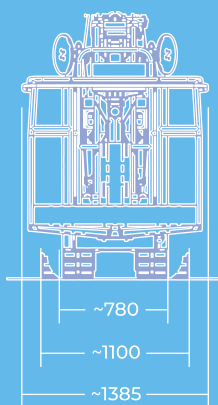
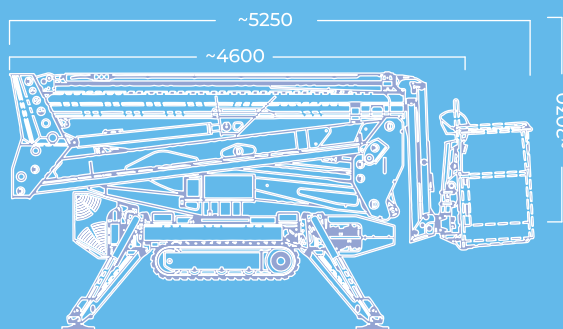


BASKET SIZE
1400x700x1100



LIFTING HOOK
230 kg

dimensions



✓ Greater strength and stability
✓ Simplicity and reliability

✓ Bi-energy
✓ Expansion basket