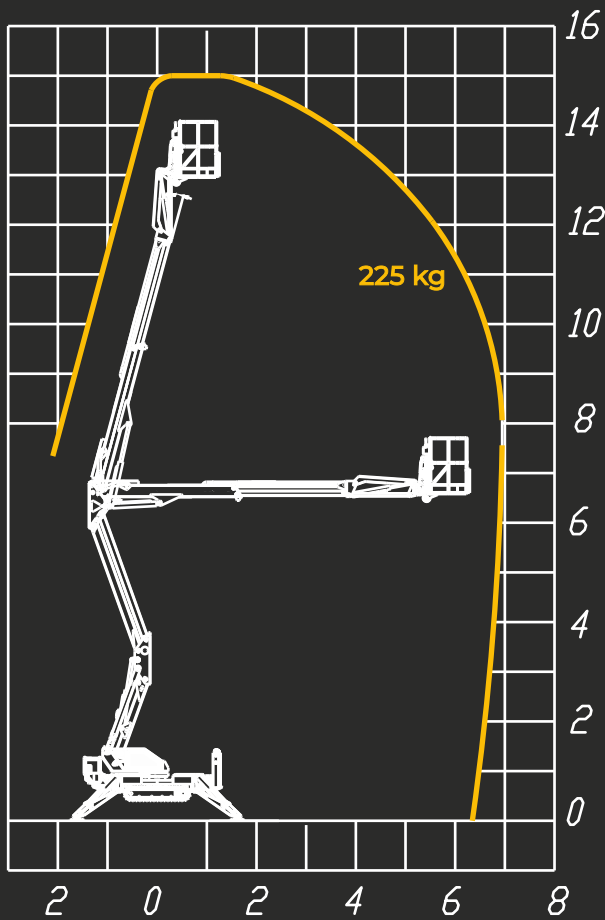


working diagram



technical info



OUTRIGGERS
Z+Z



CONTROLS
Hydraulic



WORKING HEIGHT
15,00 m



TURRET ROTATION
400°



BASKET HEIGHT
13,00 m



GVW
1,9 ton



MAX OUTREACH
7,00 m



DIMENSIONS
3210x3265



BASKET PAYLOAD
225 kg



BASKET ROTATION
0°

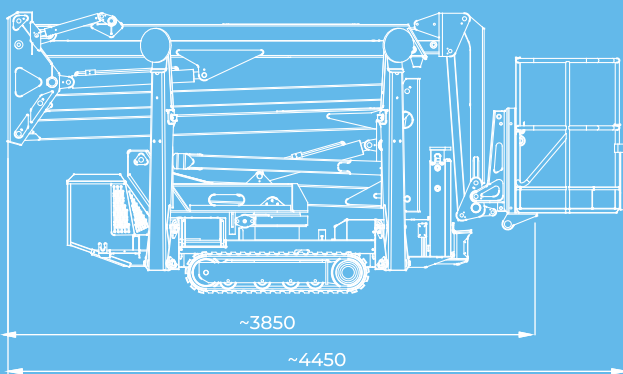


BASKET SIZE
1400x700x1100

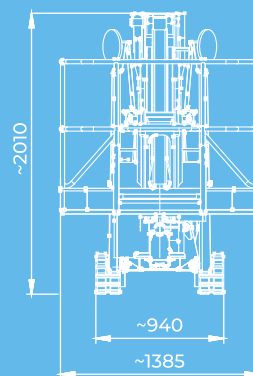


LIFTING HOOK
-

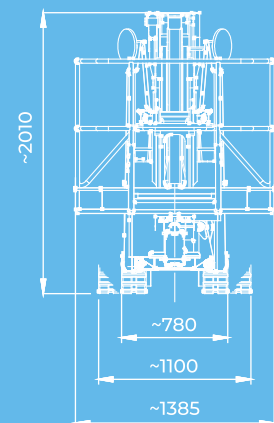
dimensions



Standard version



Version with expandable undercarriage



✓ Greater strength and stability
✓ Simplicity and reliability

✓ Bi-energy
✓ Expansion basket

forSte
155
RAPTOR
EDGE